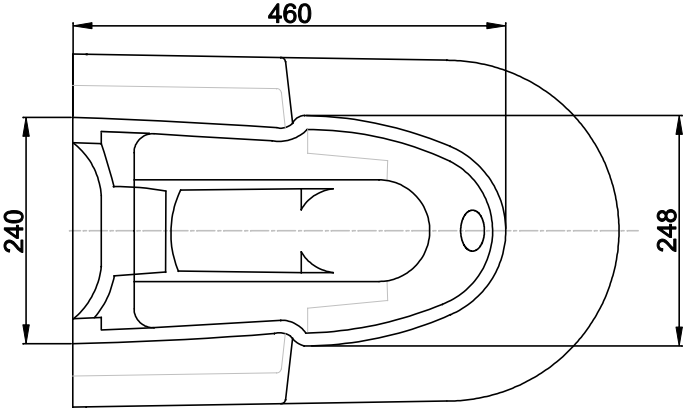
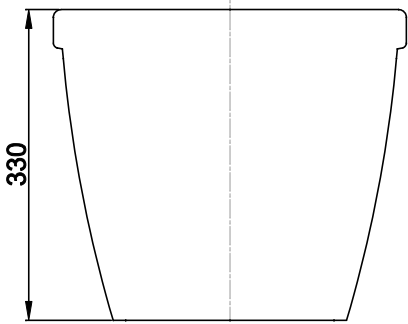


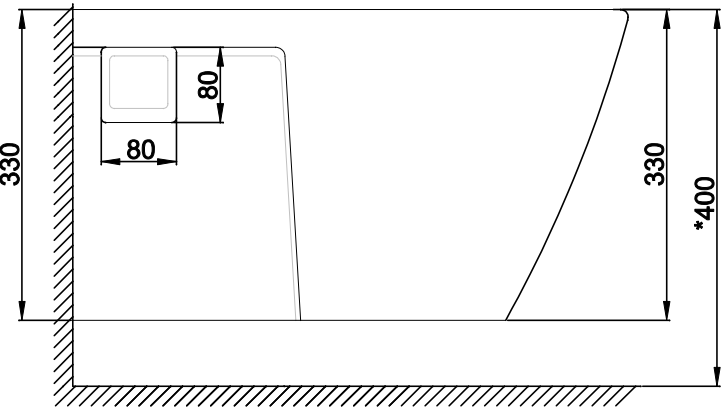
BOTTOM_VIEW



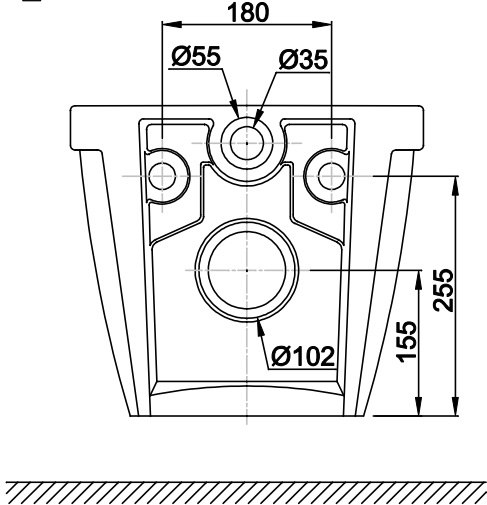
FRONT_VIEW



SIDE_VIEW

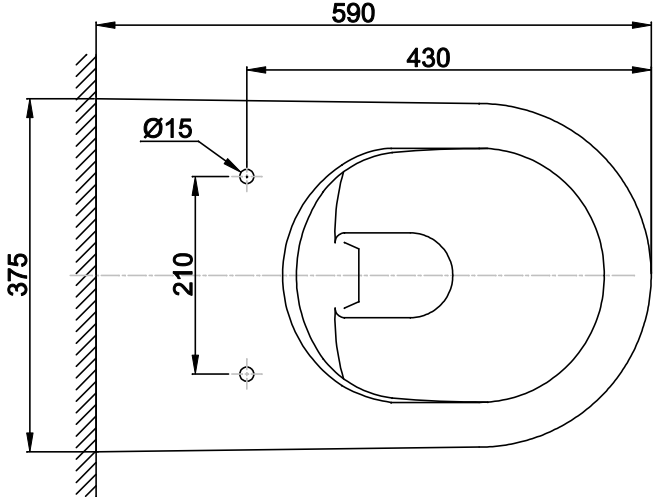



BACK_VIEW



* This mark means suggested

TOP_VIEW



E			
D			
C			
B			
A			
INDX	DATE	REV.	
			Suite Name: G project Drawing No: 491278045
			Wall-hung Toilet
Checked by:		CAD eng: Nana.H	DESIGN:
Date: 15-Jan-13		Scale: 0.150	NPD:
Sheet number: 1/1		Material:	QA & R- LAB:
Drawing r.v:0+		Master r.v:0+	>75mm