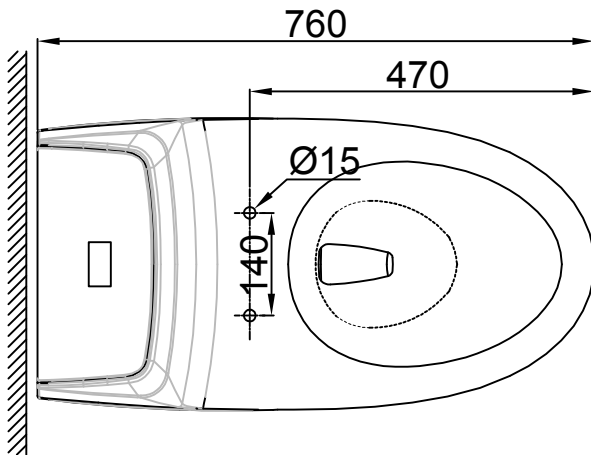
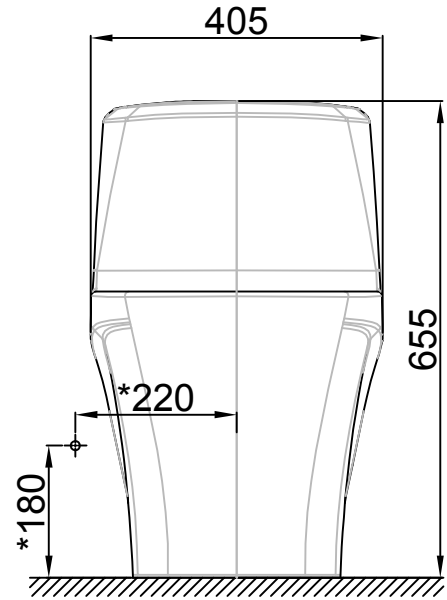
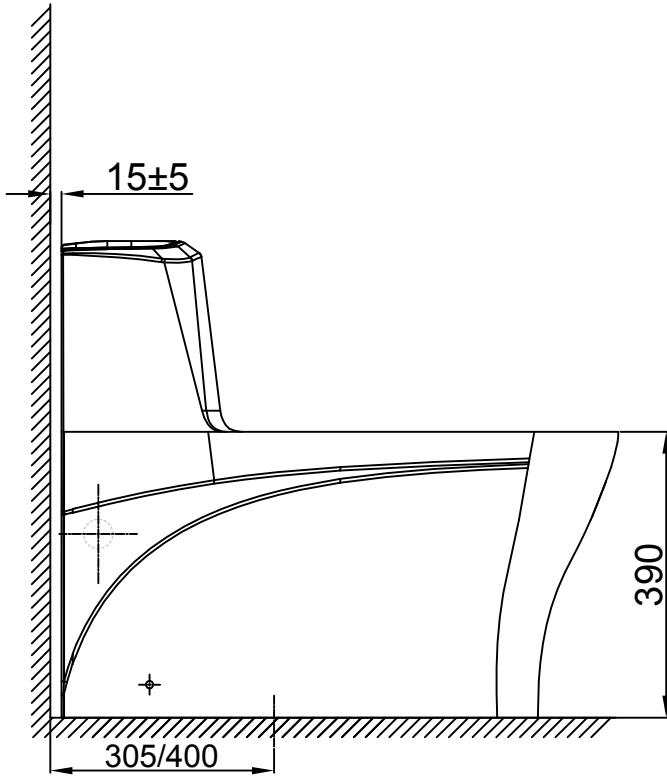


本图纸尺寸仅供参考，如有变更，恕不另行通知  
 This drawing just for reference, any change will not inform.  
 CN NPD/DRA 1812\_1813 LD-2014



\*This mark means suggested

Drawn	Material	Date:	scale
HeNa	VC	15-Sep-14	1/1
<i>American Standard</i> International design center	GL 1PC E BWL		
	cp-1812_1813	sheet 1/1	version 1.0